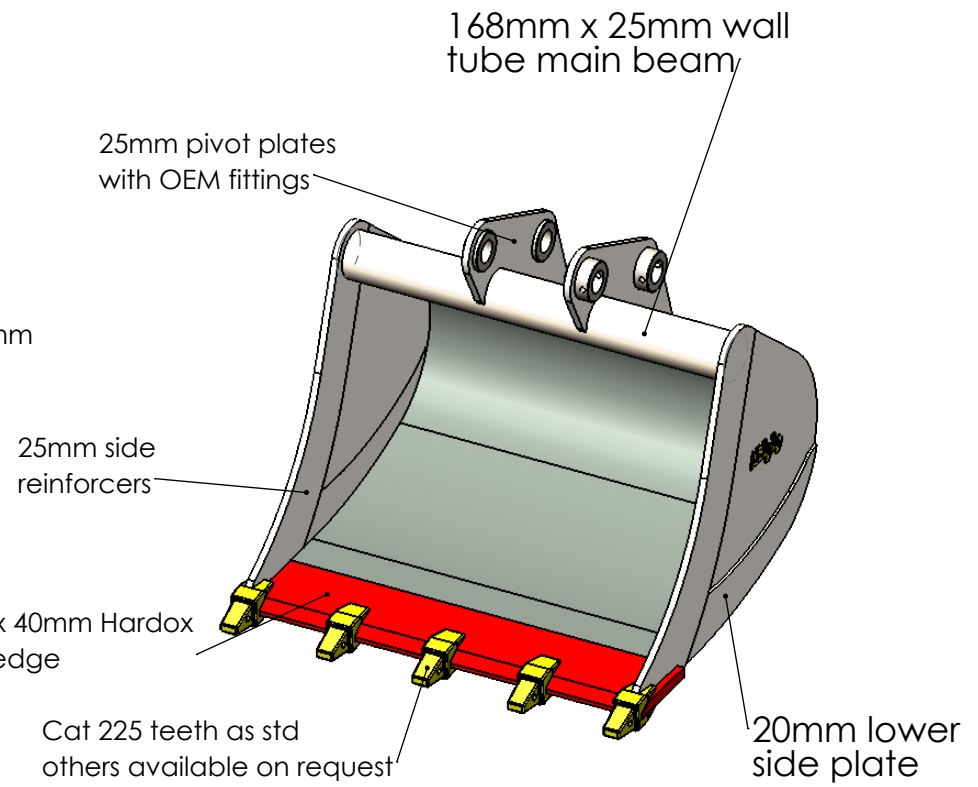
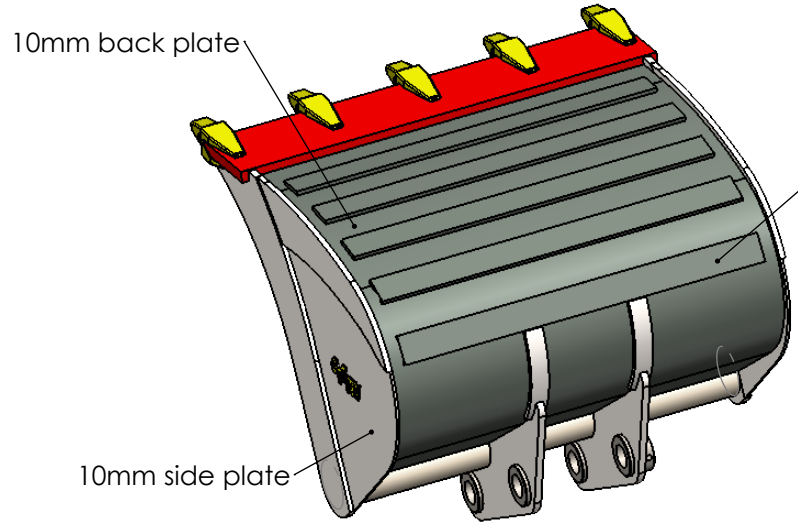
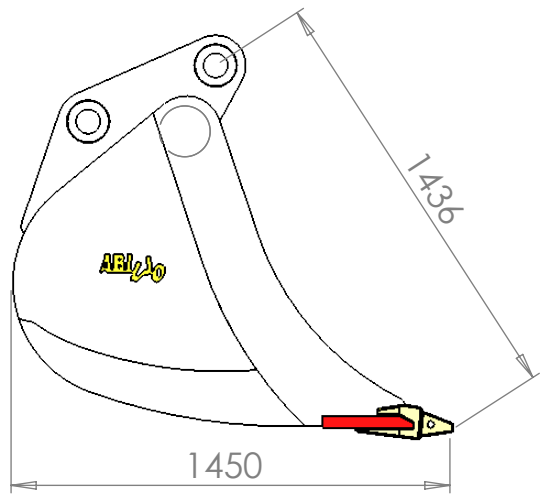


6 5 4 3 2 1

D  
C  
B  
A

D  
C  
B  
A

Part No.	Width	Capacity (SAE heaped)	Weight (kg)
1720/18	18" / 450mm	0.42m3	490
1720/24	24" / 600mm	0.60m3	548
1720/30	30" / 750mm	0.78m3	630
1720/36	36" / 900mm	0.96m3	705
1720/42	42" / 1050mm	1.14m3	770
1720/48	48" / 1200mm	1.32m3	835
1720/54	54" / 1350mm	1.50m3	895
1720/60	60" / 1500mm	1.68m3	935
1720/66	66" / 1650mm	1.85m3	1070



Unit 315 Fauld Ind. Est  
Nr Tutbury  
Burton on Trent  
Staffordshire  
DE13 9HS  
Tel: 01283 815544

DEBURR AND  
BREAK SHARP  
EDGES

UNLESS OTHERWISE  
SPECIFIED: DIMENSIONS  
ARE IN MILLIMETERS

DO NOT SCALE DRAWING REVISION

MATERIAL:

NAME	DATE
James Walker	28/09/2017

DRAWN

TITLE: 19 to 25 ton  
digging buckets

WEIGHT:

DWG NO. SAO1720

SCALE: 1:25

SHEET 1 OF 1

A4

6 5 4 3 2 1

A