



KNIKMOPS

KM120



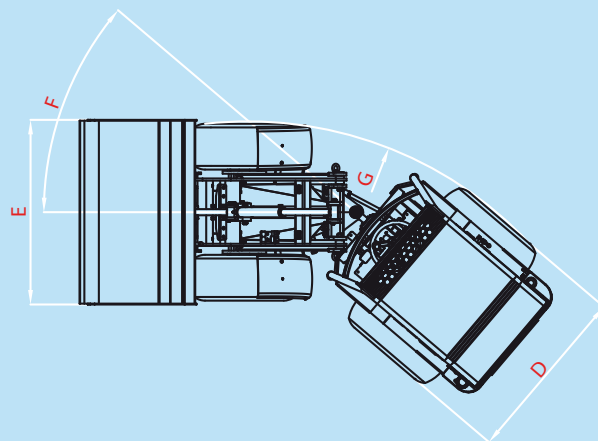
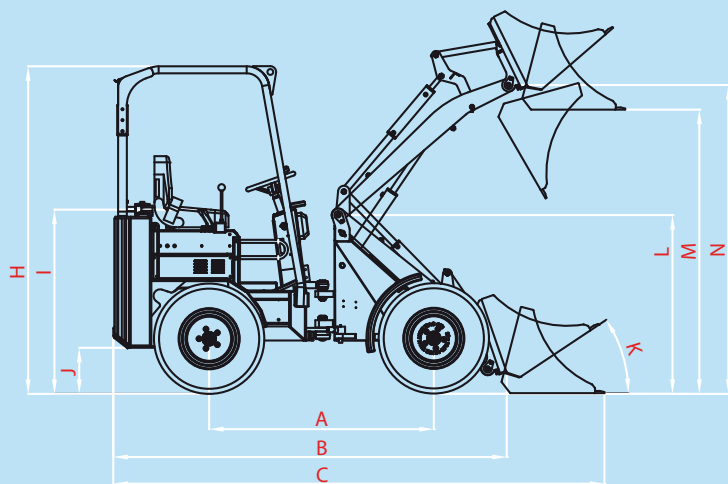
GEBROEDERS GEENS N.V. Industriezone De Kluis Hinnenboomstraat 5 B 2320 Hoogstraten
tel.:+32(0)3/314 79 30 +32(0)3/297 29 30 fax:+32(0)3/314 84 56
info@knikmops.be



www.knikmops.be

TECHNICAL SPECIFICATION

KM120



			KM120	KM120H	KM120TE
A	[mm]	Wheelbase	1550	1585	1550
B	[mm]	Chassis length	2710	2710	2710
C	[mm]	Total length with shovel bucket	3990	3990	3990
D	[mm]	Overall width	950/1250	950/1250	950/1250
E	[mm]	Shovel bucket width	1000/1270	1000/1270	1000/1270
F	[°]	Turning angle maximum	40	40	40
G	[mm]	Turning radius outside edge	2760	2760	2760
H	[mm]	Rollbar height / ROPS FOPS height	2170/2260	2170/2260	2170/2260
I	[mm]	Seat height	1270	1270	1270
J	[mm]	Ground clearance	315	315	315
K	[°]	Tipping-in angle from ground surface	32	30	30
L	[mm]	Frame height	1230	1465	1230
M	[mm]	Transfer height	1955	2570	1955/2715*
N	[mm]	Shovel bucket rotation point, maximum	2125	2740	2125/2885*
	[L]	Fuel tank capacity	37	37	37
		Diesel engine type (Kubota)	D1105	D1105	D1105
	[kw/hp]	Engine power	19/25	19/25	19/25
		Number of cylinders	3	3	3
		Drive hydraulics	Plungerpomp	Plungerpomp	Plungerpomp
		Wheeldrive	Plungermotor	Plungermotor	Plungermotor
	[L/min]	Output of work hydraulics	28	28	28
	[bar]	Pressure of work hydraulics	180	180	180
	[kg]	Service weight without attachment	1300	1450	1475
	[kg]	Lifting force	875	825	850
	[kg]	Breakout force	975	925	950
	[km/h]	Topspeed	18	18	18

Telescopic arm in / Telescopic arm out*

	1	2	3	4	5	6	7
KM120 not buckled	1100	950	800	630	1410	1150	850
with a counterweight 100 kg	1100	1100	980	740	1410	1130	990
KM120 30° buckled	930	680	530	390	1070	780	530
with a counterweight 100 kg	1020	910	710	520	1140	870	740
KM120TE not buckled	1100	950	800	630	1410	1150	850
KM120TE 30° buckled	900	670	510	410	1070	650	520
KM120TE telescopic arm out	560	420	370	200	660	380	330
KM120TE out 30°buckled	480	350	280	200	560	380	270

